

Dehumidifier Recusorb

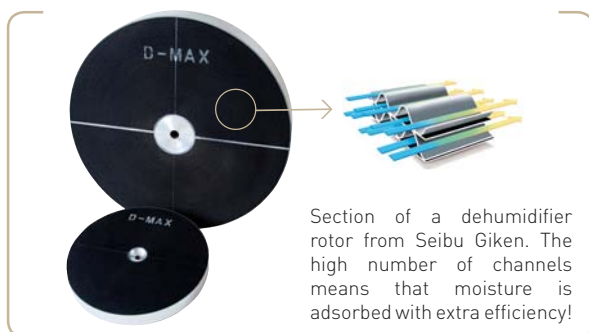
RZ-81/82/101/102, RLZ-104



Dehumidifying capacity at 20°C / 60%RH
19 - 65 kg/hkg/h

Dry air flow
2800 - 10500 m³/h

- Washable rotor
- No desiccant carry-over
- Ideal for storage applications
- Built-in heat recovery
- Low dry air temperature
- Long lifetime

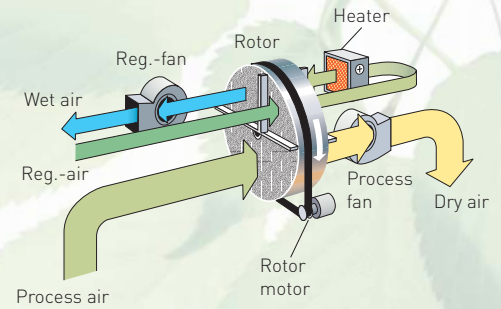


Section of a dehumidifier rotor from Seibu Giken. The high number of channels means that moisture is adsorbed with extra efficiency!



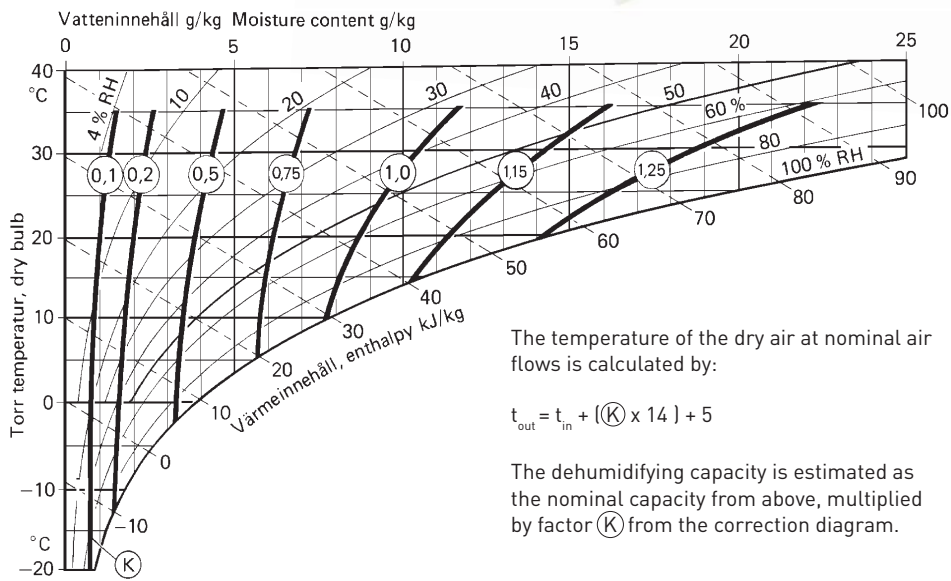
TECHNICAL DATA

Dehumidifier model	RZ-81	RZ-82	RZ-101	RZ-102	RLZ-104
Nominal capacity ¹ (kg/h)	19	25	30	50	65
Dry air flow ² (m³/h)	2800	3600	4500	7000	10500
Static pressure at disposal (Pa)	400	400	400	400	400
Wet air flow ² (m³/h)	1000	1400	1800	2500	2500
Static pressure at disposal (Pa)	200	200	200	200	200
Heater power ³ (kW)	24	30	40	63	80
Maximum electric consumption (kW)	27	35	44	72	92
Supply fuse 3x 230/400V 50Hz (A)	80 / 50	125 / 63	125 / 80	250 / 125	- / 200
Weight (kg)	294	319	380	503	558

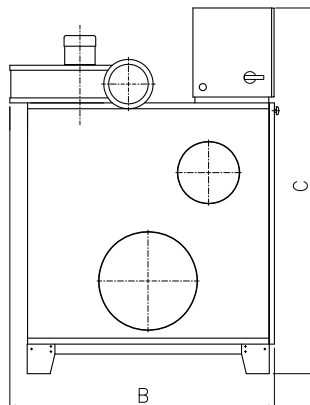
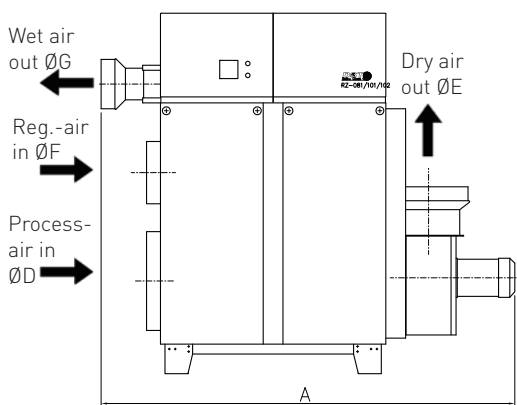


¹ Valid for inlet conditions 20°C/ 60%RH. For other inlet conditions the capacity can be calculated by using the correction factor from the diagram shown below.
² Volume flow for density 1.20 kg/m³.
³ Available with electric heater, steam heater or gas heater

CORRECTION DIAGRAM



DIMENSIONS



Dimensions RZ [mm]					
RZ-	81	82	101	102	RLZ-104
A	1800	2007	2100	2200	2390
B	950	950	1340	1250	1260
C	1550	1550	1850	1940	2140
D	400	400	500	630	630
E	250	630 x 236	400	500	940x398
F	200	200	315	400	400
G	160	160	250	315	315

Subject to change without notice. Download installation drawing at www.dst-sg.com

Seibu Giken DST AB

Avestagatan 33 | SE-163 53 Spånga, Sweden

Tel +46 8 445 77 20 | Fax +46 8 445 77 39

www.dst-sg.com | info@dst-sg.com