

# Dehumidifier Consorb **CSA-5, 5L**



*Dehumidifying capacity at 20°C / 60%RH*

**0.35 - 0.4 kg/h**

*Dry air flow*

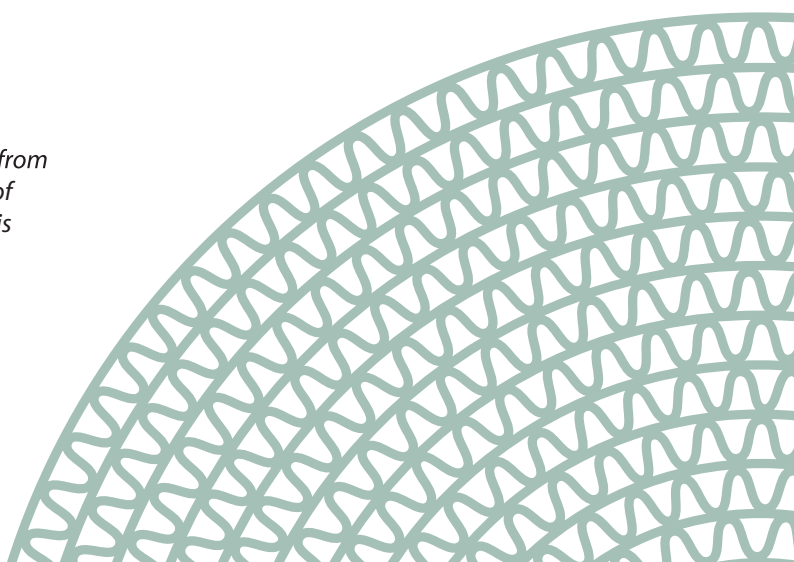
**65 - 90 m<sup>3</sup>/h**

- Easy to place
- Very low sound-level
- Low weight
- Washable rotor
- No desiccant carry-over
- Stainless steel chassis
- Self-regulating heater
- Easy to maintain
- Long lifetime



*Section of a dehumidifier rotor from Seibu Giken. The high number of channels means that moisture is adsorbed with extra efficiency.*

*World leaders in dehumidification.*

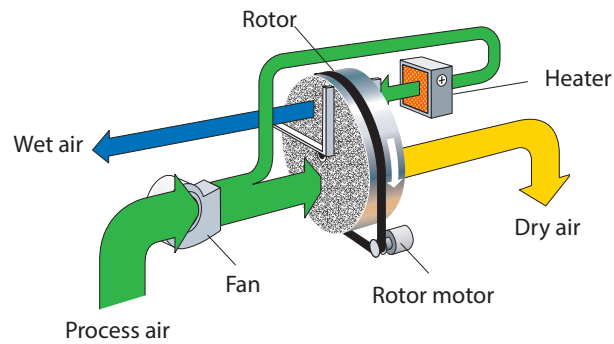


# TECHNICAL DATA

Dehumidifier model	CSA-5	CSA-5L
Nominal capacity <sup>1</sup> (kg/h)	0.35	0.4
Dry air flow <sup>2</sup> (m <sup>3</sup> /h)	65	90
at external static pressure (Pa)	50	100
Wet air flow <sup>2</sup> (m <sup>3</sup> /h)	30	50
at external static pressure (Pa)	30 <sup>3</sup>	30 <sup>3</sup>
Heater current <sup>3</sup> [A]	2.8	3.5
Total power (kW)	0.7	0.85
Supply fuse 230V / 50Hz (A)	10	10
Weight (kg)	9	9

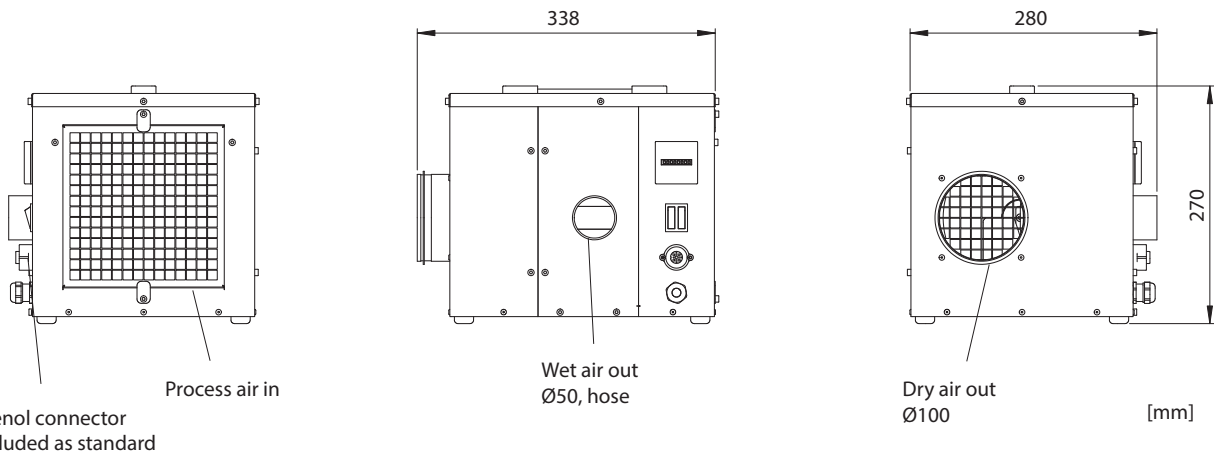
- 1 Valid for inlet conditions 20°C / 60%RH.
- 2 Volume flow for density 1.20 kg/m<sup>3</sup>.
- 3 The design of the PTC heater enables the power to be regulated by controlling the wet air flow.

# PRINCIPLE



# DIMENSIONS

Subject to change without notice. Download installation drawing at [www.dst-sg.com](http://www.dst-sg.com)



Updated 18.12



Sweden | +46 8 445 77 20 | info@dst-sg.com | www.dst-sg.com  
 Kuala Lumpur | +603-4295 3295 | www.aaq.com.my  
 Penang | +6012-378 3295 | enquiry@aaq.com.my  
 Johor | +6012-397 3295

www.facebook/appliedAirQualitySpecialistsSdnBhd