

Dehumidifier Recusorb

RLZA-81, 82, 101, 102, 102L, 104



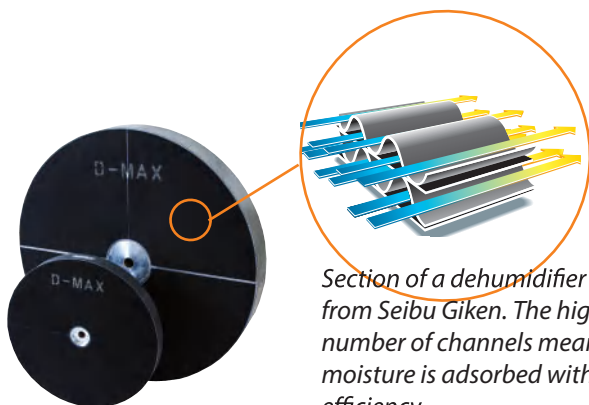
Dehumidifying capacity at 20°C / 60%RH

19 - 70 kg/h

Dry air flow

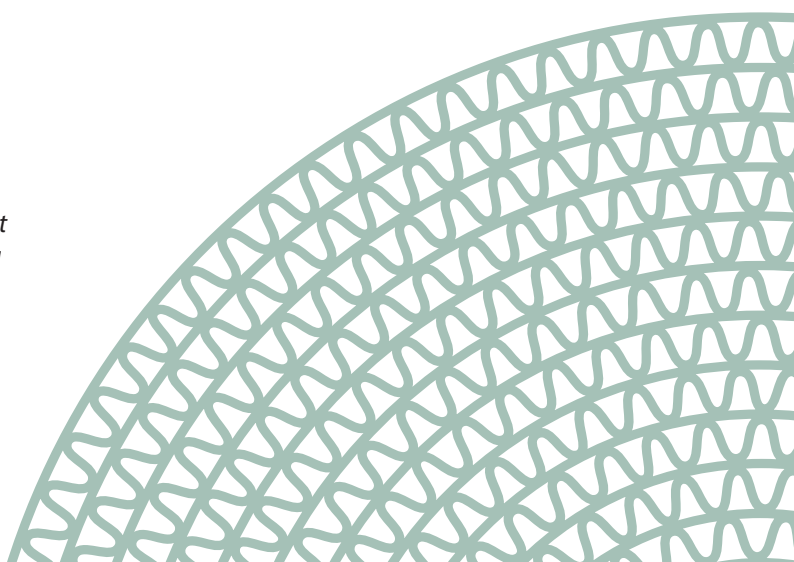
2900 - 10500 m³/h

- EC-motor or VSD for both process and regen fan
- Washable rotor
- No desiccant carry-over
- Built-in heat recovery
- Low dry air temperature
- Long lifetime
- Options:
 - Steam or gas regen heater
 - Pre- and post-treatment modules
 - Touchscreen with flowchart showing actual airflows and coil outputs
 - Communication with Modbus, Profibus or Bacnet
 - Insulated inlets
 - Stainless steel chassis



Section of a dehumidifier rotor from Seibu Giken. The high number of channels means that moisture is adsorbed with extra efficiency.

World leaders in dehumidification.

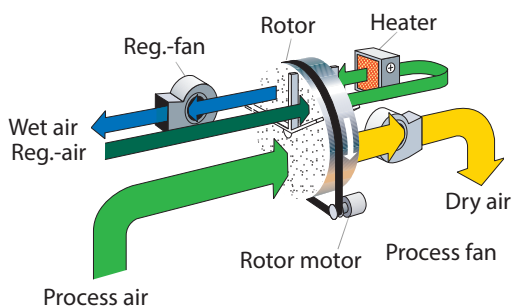


TECHNICAL DATA

Dehumidifier model	RLZA-81	RLZA-82	RLZA-101	RLZA-102	RLZA-102L	RLZA-104
Nominal capacity ¹ (kg/h)	19	25	30,5	49,5	57	70
Dry air flow ² (m ³ /h)	2900	3500	4600	7000	10000	10500
Static pressure at disposal (Pa)	300	300	300	300	300	200
Wet air flow ² (m ³ /h)	750	1000	1300	2100	2400	2500
Static pressure at disposal (Pa)	200	200	200	200	200	200
Heater power ³ (kW)	24	30	40	63	70	80
Maximum electric consumption (kW)	27,6	34,0	43,6	70,4	79,7	91,5
Supply fuse 3 x 400V / 50Hz (A)	50	63	80	125	125	160
Weight (kg)	294	325	380	503	585	600

1. Valid for inlet conditions 20°C/60%RH.
2. Volume flow for density 1.20 kg/m³.
3. Available with electric heater, steam heater or gas heater.

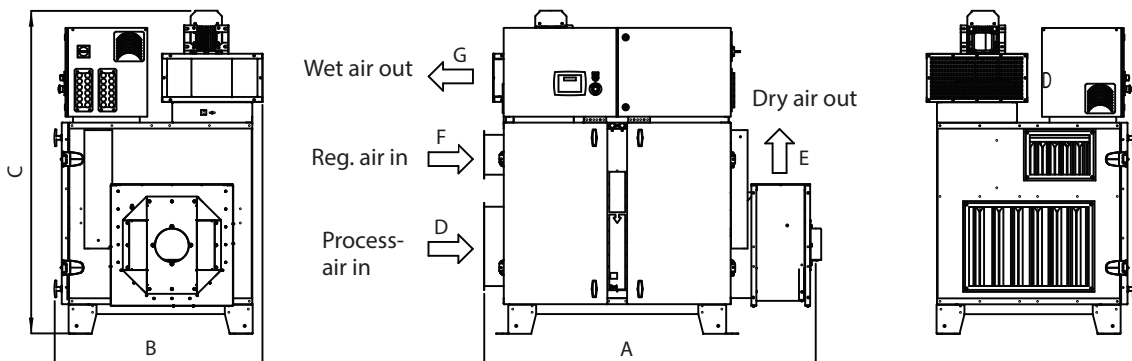
PRINCIPLE / DIMENSIONS



Dimensions RLZ [mm]						
	RLZA-81	RLZA-82	RLZA-101	RLZA-102	RLZA-102L	RLZA-104
A	1664	1787	1693	1874	2246	2446
B	1037	1037	1291	1292	1292	1292
C	1634	1655	1932	1983	1983	2052
D	600 x 400	600 x 400	1000 x 500	1000 x 500	1000 x 500	1000 x 500
E	558 x 264	560 x 245	560 x 245	720 x 306	800 x 356	850 x 356
F	300 x 200	300 x 200	400 x 300	400 x 300	400 x 300	400 x 300
G	450 x 194	450 x 194	450 x 194	450 x 194	450 x 194	504 x 214

DRAWING

Subject to change without notice. Download installation drawing at www.dst-sg.com



Updated 19.05

